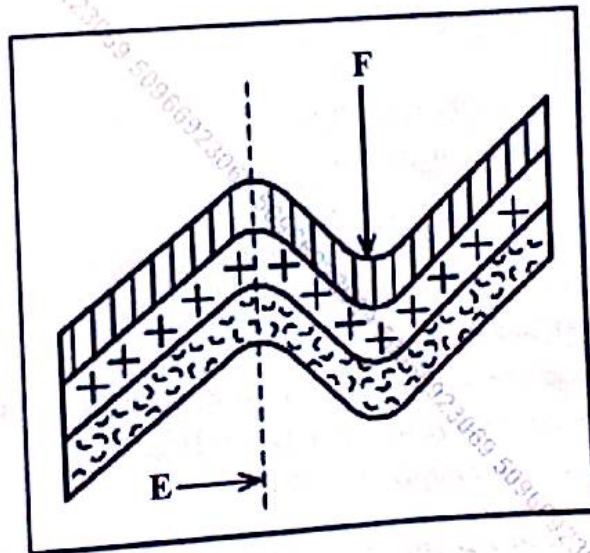


SECTION A (25 marks)

Answer all the questions in this section in the space provided after question 10.

1. (a) Give the dates when the sun is overhead along the equator. (2 marks)
- (b) State three characteristics of the SIAL layer of the earth's crust. (3 marks)
2. (a) Explain the term *rock* as used in Geography. (2 marks)
- (b) List two examples of plutonic rocks. (2 marks)
3. The following diagram shows a simple fold. Use it to answer question 3(a).



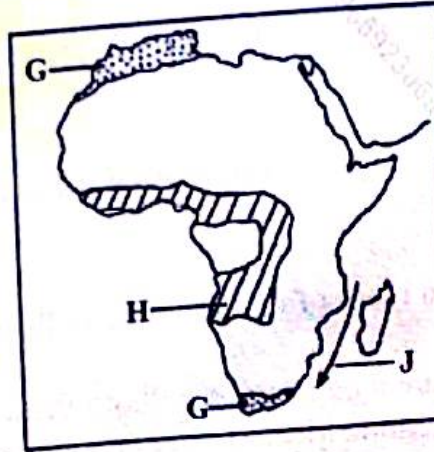
4. (a) Name the parts labelled E and F. (2 marks)
- (b) Give three factors that influence folding. (3 marks)
5. (a) State two ways of measuring the strength of an earthquake. (2 marks)
- (b) State three natural causes of earthquakes. (3 marks)
6. (a) Name three soil forming processes. (3 marks)
- (b) Give the three types of soil degeneration. (3 marks)

SECTION B (75 marks)

Answer question 6 and any other two questions from this section in the space provided after question 10.

- 6 Study the map of Kipkabus 1:50,000 (Sheet 104/1) provided and answer the following questions.
- (a) (i) What was the magnetic variation of the area when the map was drawn? (1 mark)
- (ii) Name the two types of scale shown on the map. (2 marks)
- (iii) What is the direction of the Air Photo Principal Point 87 in grid square 8338 from the Trigonometrical Station Primary SKP 102? (2 marks)
- (b) Measure the distance of the dry weather road from grid reference 867365 to 829420. Give your answer in kilometres. (2 marks)
- (c) Using a scale of 1 cm to represent 20 metres draw a cross section from grid reference 785320 to 850320. (3 marks)
- On the cross section, mark and label the following:
- (i) main track (motorable);
- (ii) forest boundary;
- (iii) river;
- (iv) gentle slope. (4 marks)
- (d) (i) Describe the drainage of the area covered by the map. (5 marks)
- (ii) Citing evidence from the map, explain three economic activities carried out in the area covered by the map. (6 marks)

7. Use the following map of Africa to answer questions 7(a) and (b).



- (a) Name the: (1 mark)
- ocean current marked J; (1 mark)
 - climatic region marked H. (5 marks)
- (b) State the characteristics of the climatic regions marked G. (4 marks)
- (c) Explain two ways in which the configuration of the coastline influences climate. (4 marks)
- (d) Explain how the Equatorial vegetation is adapted to the climatic conditions. (4 marks)
- (e) State four pieces of evidence for climate change. (4 marks)
- (f) You intend to carry out a field study in a weather station. (2 marks)
- State two objectives of the study. (4 marks)
 - Give four activities that you would undertake in preparation for the study. (4 marks)

8. (a) (i) Name **two** agents of weathering. (2 marks)
- (ii) State **four** types of mechanical weathering. (4 marks)
- (b) Describe the process of carbonation. (4 marks)
- (c) (i) Give **three** pieces of evidence for soil creep. (3 marks)
- (ii) State **four** factors responsible for rapid mass wasting. (4 marks)
- (d) Explain **four** effects of weathering on the environment. (8 marks)
9. (a) (i) Explain the term *lake*. (2 marks)
- (ii) Identify **three** factors that determine the size of a lake. (3 marks)
- (b) (i) State **two** characteristics of lakes formed through crustal warping. (2 marks)
- (ii) Apart from crustal warping, give **four** other processes that lead to formation of lakes. (4 marks)
- (c) With the aid of well labelled diagrams, describe how an ox-bow lake is formed. (8 marks)
- (d) Your class carried out a field study of a lake in the local environment.
- (i) Give **three** reasons why it was necessary for the students to be organised into working groups. (3 marks)
- (ii) Identify **three** methods of data recording that the students used. (3 marks)
10. (a) (i) Differentiate between porous and pervious rocks. (2 marks)
- (ii) Explain **two** ways through which precipitation influences ground water. (4 marks)
- (b) State **three** characteristics of a karst landscape. (3 marks)
- (c) Explain **three** ways in which a karst scenery influences human activities. (6 marks)

(d) (i) Describe how the following underground features in a karst scenery are formed:

I. swallow hole; (4 marks)

II. stalactites. (4 marks)

(ii) Apart from stalactites and swallow holes, name two other underground features in a karst scenery. (2 marks)

.....

.....

.....

.....

.....

.....

.....

.....

.....

.....